

HPCO₂ Component Description

Swivel Adapter, 1/2" NPT



Effective: January 2019

K-81-1105 Rev AA

P/N: WK-934208-000

FEATURES

- **Machined Brass Parts**
- **1/2" NPT (DN15) Outlet Fitting**
- **Swivel Connection onto Discharge Head**
- **0°F (-18°C) to 130°F (55°C) agency temperature range**
- **Underwriters' Laboratories Listed - File Number EX923**
- **Factory Mutual Approved - Standard 5420**
- **United States Coast Guard Approved**
- **Various Marine Class Society Approvals**

DESCRIPTION

The swivel adapter attaches to the discharge head on a Kidde High Pressure Carbon Dioxide (CO₂) cylinder assembly secured at the project site. The swivel adapter connects each discharge head to piping connections on the system manifold. A single cylinder system represents the typical intended application for the swivel adapter.

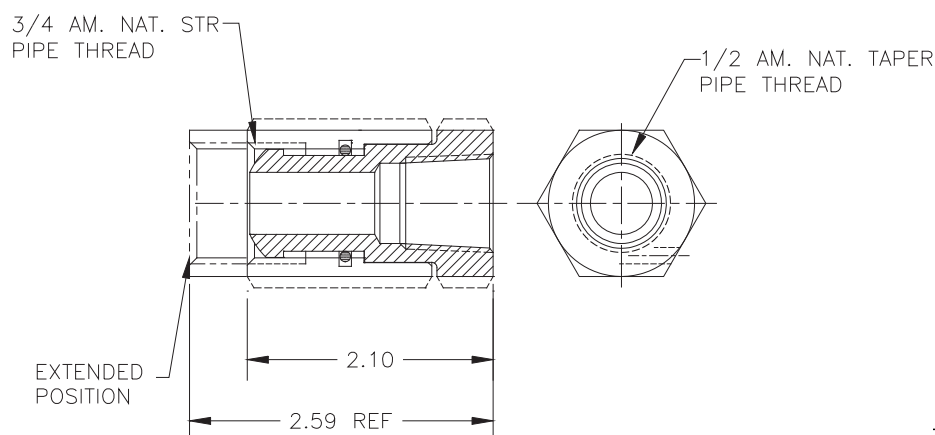
ORDERING INFORMATION

Description	Part Number
Swivel Adapter, 1/2" NPT	WK-934208-000



REFERENCED COMPONENTS

Description	Reference Data Sheet
Cylinder & Valve Assembly, 75/100-lbm	K-81-1010
Cylinder & Valve Assembly, 25/35/50-lbm	K-81-1020
Discharge Head, Plain Nut	K-81-1060
Discharge Head, Groove Nut	K-81-1070



EXPORT INFORMATION (USA)

Jurisdiction: EAR

Classification: EAR99

This document contains technical data subject to the EAR.

KIDDE is a registered trademark of Kidde-Fenwal, Inc., or its parents, subsidiaries or affiliates.
©2019 Kidde-Fenwal, Inc.

This literature is provided for informational purposes only. KIDDE-FENWAL, INC. believes this data to be accurate, but it is published and presented without any guarantee or warranty whatsoever. KIDDE-FENWAL, INC. assumes no responsibility for the product's suitability for a particular application. Product features specified are only applicable when the fire suppression system is correctly designed, installed, maintained and serviced by trained, authorized Kidde Fire Systems distributors as per the applicable design, installation, operation, and maintenance manuals. If you need more information on this product, or if you have a particular problem or question, contact: KIDDE-FENWAL, INC., Ashland, MA 01721 USA, Telephone: (508) 881-2000.

Kidde Fire Systems
400 Main Street
Ashland, MA 01721
Ph: 508.881.2000
Fax: 508.881.8920
www.kiddefiresystems.com